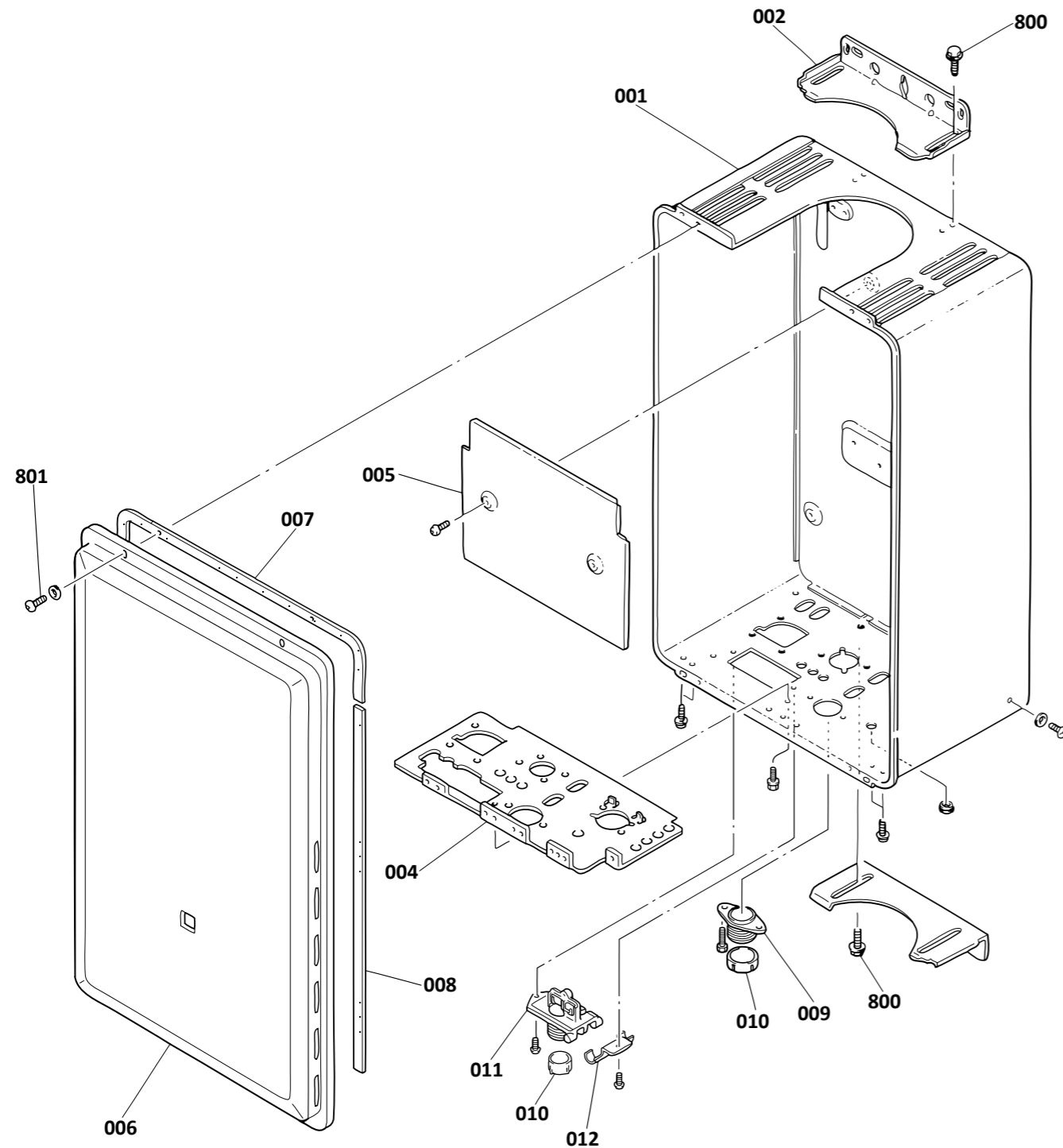


Infinity HD200i/HDi200/HD200ia internal (REU-VR2632FFUG)

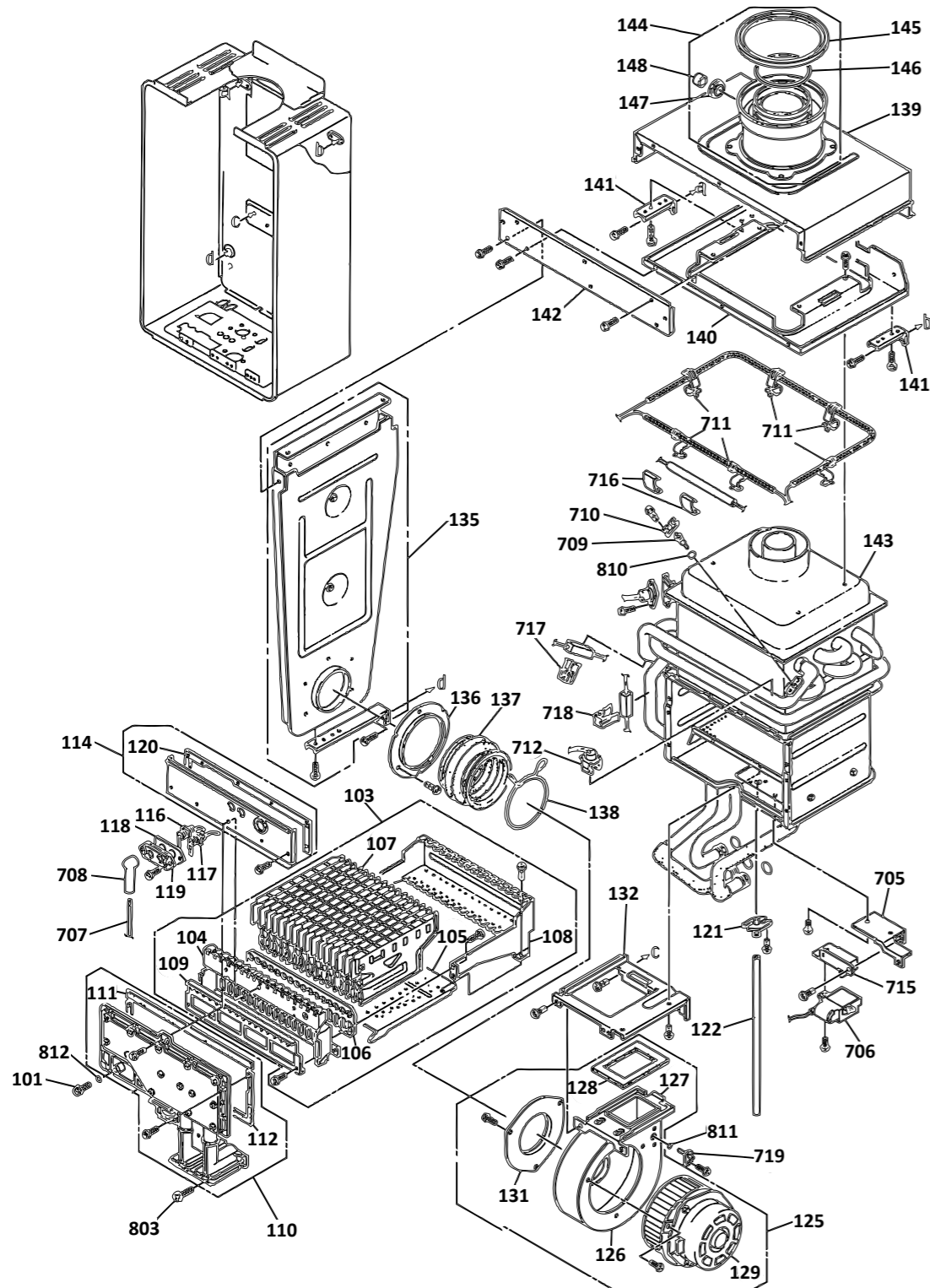
This diagram is provided to assist you to identify parts if replacement is necessary. Contact your place of purchase or the manufacturer to enquire about parts, availability and/or service.



Ref.	Description	Qty.	Part No.
001	Main body assembly	1	Not available
002	Wall bracket Infinity	1	3412
004	Connection reinforcement	1	4917
005	Heat protection plate	1	4933
006	Front panel assembly	1	4915
007	Front panel packing top	1	3418
008	Front panel packing side	1	3807
009	Cable connection	1	3896
010	Cable seal packing	2	2898
011	Quick control connection	1	3310
012	Connection support clip	1	3311
800	Screw	4	4766
801	Screw pack for front panel	1	R5040

Infinity HD200i/HDi200/HD200ia internal (REU-VR2632FFUG)

This diagram is provided to assist you to identify parts if replacement is necessary. Contact your place of purchase or the manufacturer to enquire about parts, availability and/or service.

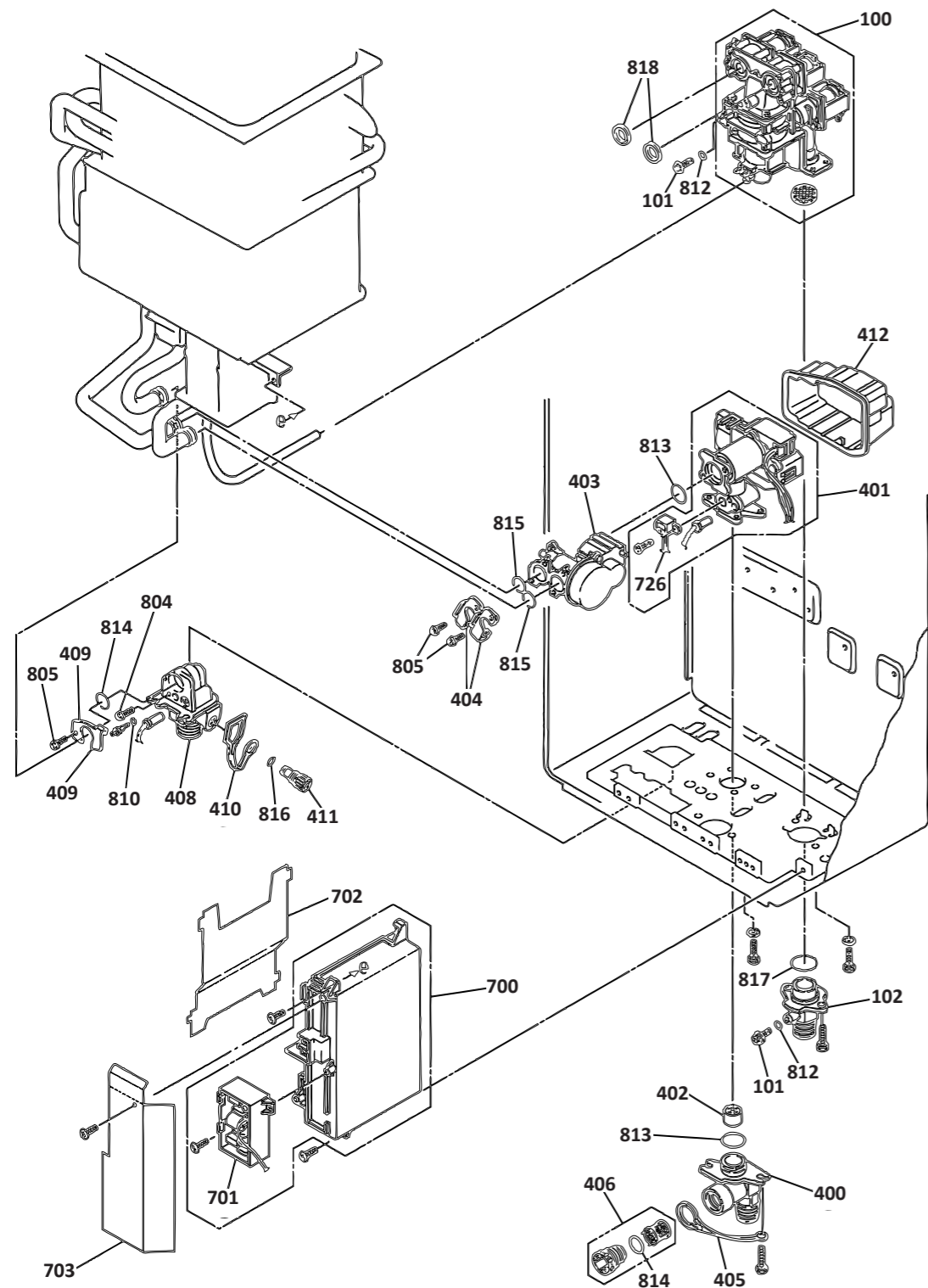


Ref.	Description	Qty.	Part No.
101	Test point screw	1	3564
103	Burner unit assy LPG	1	5337
103	Burner unit assy NG	1	3566
104	Burner case front panel	1	4937
105	Burner case bottom plate	1	4938
106	Gasket burner case front	1	4939
107	Lean and rich burner assy	1	3440
108	Burner case back plate	1	4940
109	Damper LPG	1	3567
109	Damper NG	1	5267
110	Manifold assy. NG	1	4942
110	Manifold assy. LPG	1	4941
111	Combustion chamber packing	1	3589
112	Sealing lower comb. chamber	1	3597
114	Front plate comb. chamber assy	1	4943
116	Electrode	1	3445
117	Flame rod	1	3464
118	Electrode packing	1	3322
119	Electrode holder	1	3468
120	Gasket combust. chamber front panel packing	1	3600
121	Back pressure joint	1	3604
122	Pressure tube C	1	4945
125	Fan motor assembly	1	4898
126	Fan casing assy	1	4922
127	Fan connection mouth	1	4948
128	Fan connection packing	1	2669
129	Combustion fan motor	1	4923
131	Joint fixing pipe	1	5215
132	Combust. chamber front bracket	1	5216
135	Air inlet duct assy	1	5217
136	Joint bracket	1	5218
137	Connecting joint	1	5219
138	Joint fixing bracket	1	5220

Ref.	Description	Qty.	Part No.
139	Air inlet duct assy	1	4925
140	Joint exhaust tube frame	1	4929
141	Joint exhaust tube frame	2	5223
142	Air inlet box cover	1	4976
143	Heat exchanger assy.	1	5225
143	Heat exchanger assy. (aggressive water unit)	1	5211
144	Flue connection assembly	1	4913
145	Sealing ring	1	4978
146	O-ring	1	4977
147	Pipe seal	1	4979
148	Cap	1	4980
705	PCB fixing plate	1	5231
706	Ignitor assy	1	2886
707	High tension lead	1	5335
708	Electrode sleeve	1	3475
709	Thermistor-2	1	2885
710	Thermistor clip	1	3882
711	Temperature fuse fixing plate	1	3659
712	Frost sensing switch	1	3675
715	Ignitor fixing plate	1	5345
716	Anti-frost heater clip	2	3891
717	Heater fixing plate A	1	3917
718	Heater fixing plate B	1	2032
719	Air thermistor	1	5234
725	Thermal fuse assy	1	4981
727	Ignitor harness	1	5240
729	Remote control harness	1	2891
803	Screw	1	2938
810	O-ring	1	3832
811	O-ring (P3)	1	2974
812	O-ring (S4)	3	2239

Infinity HD200i/HDi200/HD200ia internal (REU-VR2632FFUG)

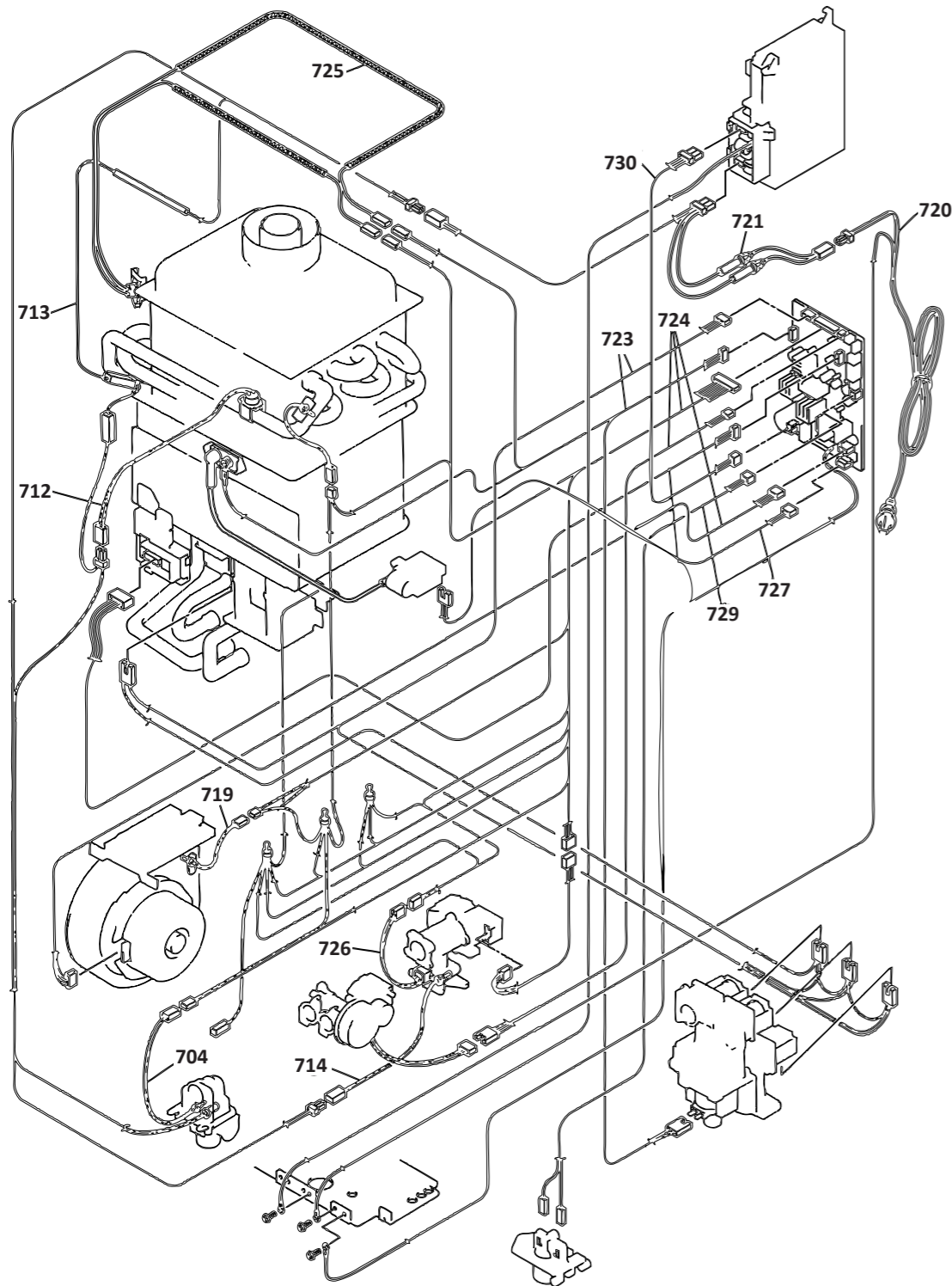
This diagram is provided to assist you to identify parts if replacement is necessary. Contact your place of purchase or the manufacturer to enquire about parts, availability and/or service.



Ref.	Description	Qty.	Part No.
100	Gas control assy	1	4936
101	Test point screw	1	3564
102	Gas connection ¾	1	3074
400	Water inlet ¾	1	3484
401	Water servo and sensor	1	5227
402	Flow straightener	1	3487
403	Bypass servo assy	1	3944
404	Fixing bracket	1	3624
405	Plug band inlet	1	2927
406	Incoming water filter	1	3839
408	Hot water outlet	1	3625
409	Fixing bracket	1	3645
410	Plug band hot water	1	2926
411	Pressure relief valve	1	3491
412	Water flow servo cover	1	2871
700	PCB main assy	1	5349
701	Surge protector	1	4930
702	Sub circuit board cover	1	5230
703	EC cover 2-Z	1	3950
709	Thermistor 2	1	2885
726	MR sensor	1	5239
804	Thermistor fixing screw	1	3241
805	Screw	2	5244
810	O-ring	2	3832
812	O-ring	3	2239
813	O-ring	2	3627
814	O-ring	2	1244
815	O-ring	2	3826
816	O-ring (P7)	1	1031
817	Gas inlet o-ring	1	3837
818	O-ring gas control	2	3773

Infinity HD200i/HDi200/HD200ia internal (REU-VR2632FFUG)

This diagram is provided to assist you to identify parts if replacement is necessary. Contact your place of purchase or the manufacturer to enquire about parts, availability and/or service.



Ref.	Description	Qty.	Part No.
704	Thermistor	1	2884
712	Frost sensing switch	1	3675
713	Heater antifrost assy	1	5233
714	Valve heat assembly	1	4752
719	Air thermistor	1	5234
720	Electric power cord	1	3526
721	Fuse harness	1	5235
723	Harness solenoid valve	1	5236
724	Sensor harness	1	5237
725	Thermal fuse and relay harness	1	3770
726	MR sensor assy	1	5239
727	Harness ignitor	1	5240
729	Remote controller harness	1	2891
730	Electric power harness	1	5241